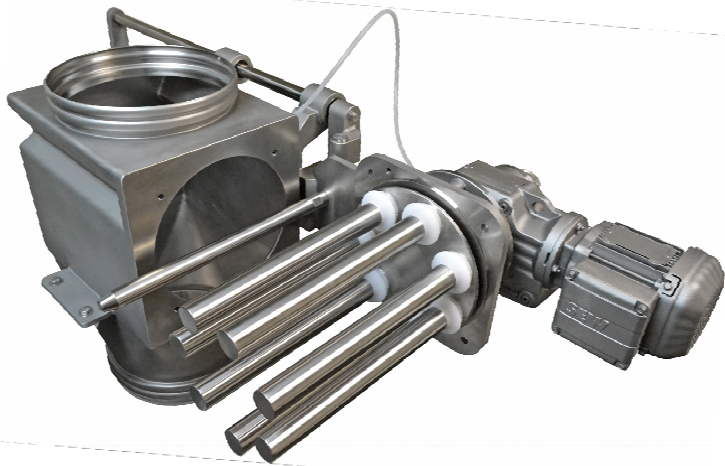


ROTARY MAGNET



FEATURES

- USDA Dairy Accepted
- >11,000 gauss rare earth magnet rods with rotary action provides maximum separation efficiency
- Standard 316/316L Housing
- Maintenance free direct drive, available in painted steel and stainless steel
- Sanitary air purged shaft seals with integrated air service package
- Customized inlet and outlet connections including BFM® fitting, tri-clamp, flanged, round or square

BENEFITS

- Magnetic protection without restricting powder flow
- Magnetic rotor is demountable from housing without tools
- Precision machined assembly for dust-tight operation
- Sanitary housing design is self-draining, ledge and crevice free
- Housing inlet concentrates product flow over highest strength section of magnet.
- Resin encapsulated magnet cartridges prevent damage to magnet material

USDA Dairy Accepted

Rotary Magnet design and fabrication has been verified by a USDA AMS Dairy Grading Branch Inspector to meet the most stringent sanitary requirements in the industry. Contact PPS for a copy of the USDA Acceptance Certificate.

Rotary Magnet Benefits

Rotary magnets are designed to remove ferrous and weakly charged magnetic particles from product flows that tend to plug and bridge in stationary magnetic grates. The rotary action prevents the product from bridging the process stream while breaking apart soft lumps and cohesive materials. The rotary action also provides a superior product to magnet contact ratio versus conventional grate magnets.

Superior Design

The PPS rotary magnet's inlet concentrates product flow over the highest strength section of the magnet. Some other's designs allow flow over the weaker ends of the magnet rods where weakly magnetic particles like worked hardened stainless steel may not be captured.

Magnet cartridges are vacuum resin encapsulated within rods providing a more robust assembly that will not bend, crack, corrode, or lose magnetic strength as easily as other magnets on the market.

Easy to Clean

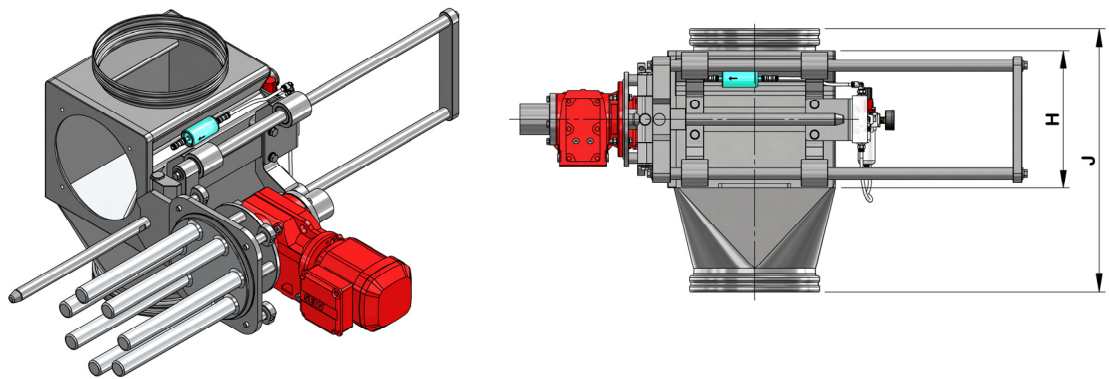
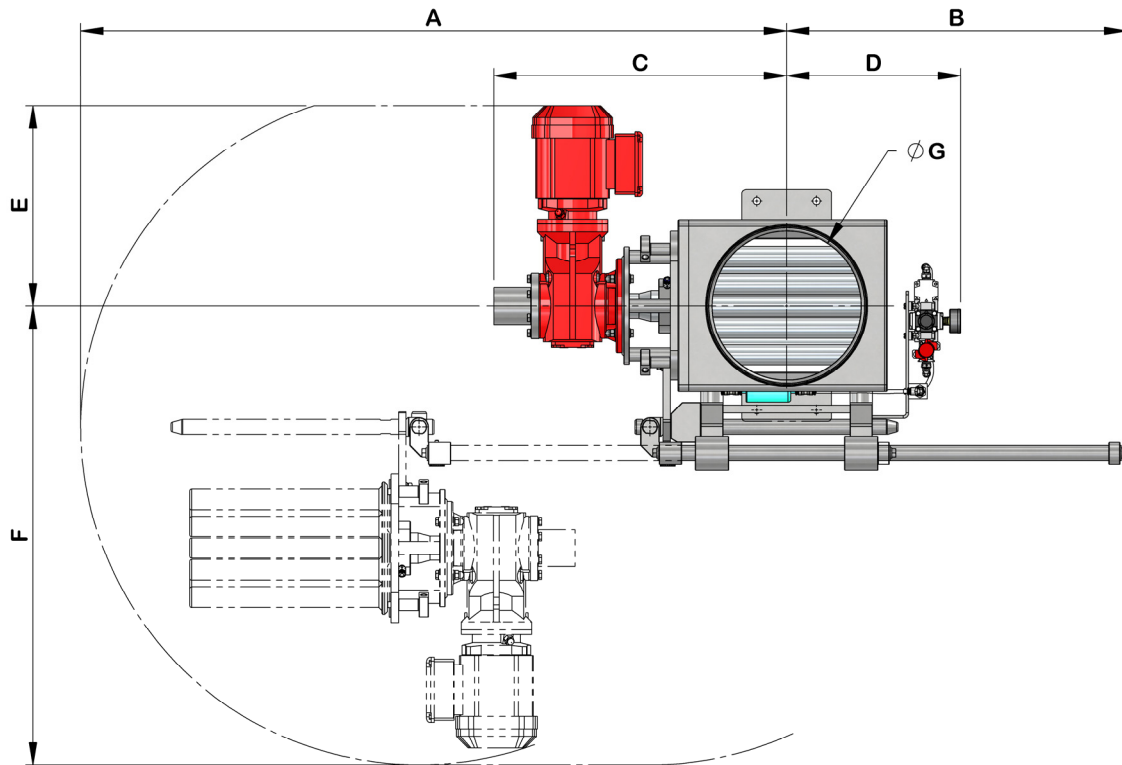
Demountable design allows magnet rotor to be removed for cleaning without tools. Slide rails support weight of rotor and lock in place to hold rotor outside of product stream. Ferrous particles are removed from magnets with wiper rings.

Dummy plate available to allow full CIP of housing with rotor removed.



Magnets are cleaned completely outside the product zone.

ROTARY MAGNET



MODEL	A	B	C	D	E ₂	F	ØG, NOMINAL	H	J _{MIN. 1}
RM-08	42.75	19.25	18.13	10.25	13.44	28.88	8"	10.00	16.56
RM-10	47.31	22.81	19.63	11.63	13.44	30.88	10"	11.50	19.56

1 Height dependent upon inlet and outlet options. Process connections available: flange, tri-clamp ferrule, tube stub, BFM® fitting (shown in drawing).

2 For standard SEW Eurodrive motor.

Call PPS for more info and to receive a drawing for your application.